



Technical comercial data

CU-5.5-UN T.CU-5.5

Serie CUBETA – Versión 17-05-2023

Approved UN 4H2/Y6.5/S Group II and III solids with inner bag,
marked with a danger triangle for blind people.

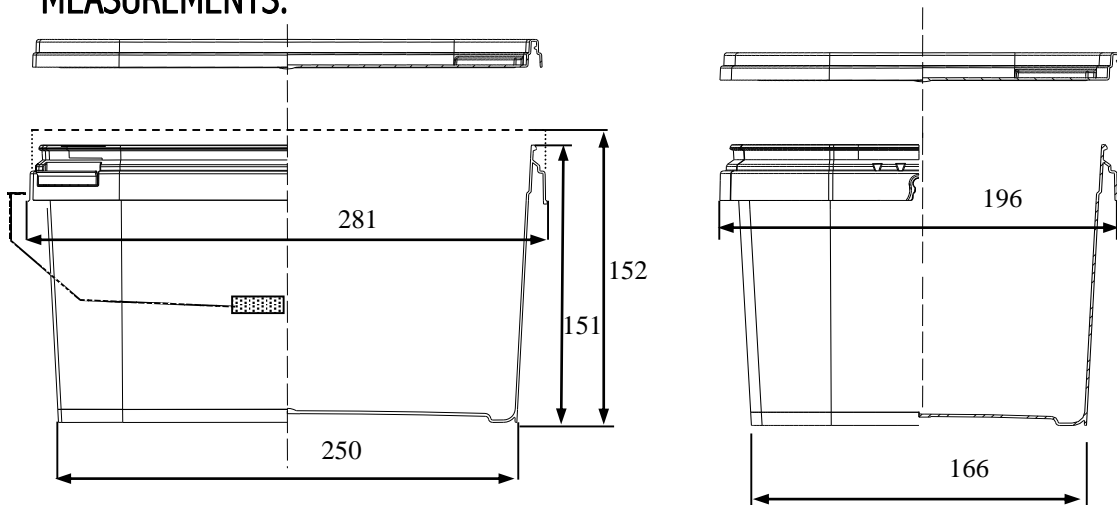
TECHNICAL DATA:

Material:	PP copolymer of first quality.
Colours:	White standard. Consult for other colours.
Useful Volume:	5.5 litres
Volume to the edge:	6.2 litres
Weight of the rectangular bucket:	211 g. approx.
Weight of the lid:	69 g. approx.
Weight of the handle (plastic):	20 g. approx.
Total Weight:	300 g. approx.



Design surface photographic finish: 105 x 770 mm (height x perimeter).

MEASUREMENTS:



Measurements in millimetres

GROUPING OF TRANSPORT:

Rectangular buckets:	600 rectangular buckets per pallet
Pallet dimensions:	1180 x 1020 x 1130 (see drawing)
Lids:	200 lids per box, this serves as a packaging of transportation
Box dimension:	810 x 287 x 410

